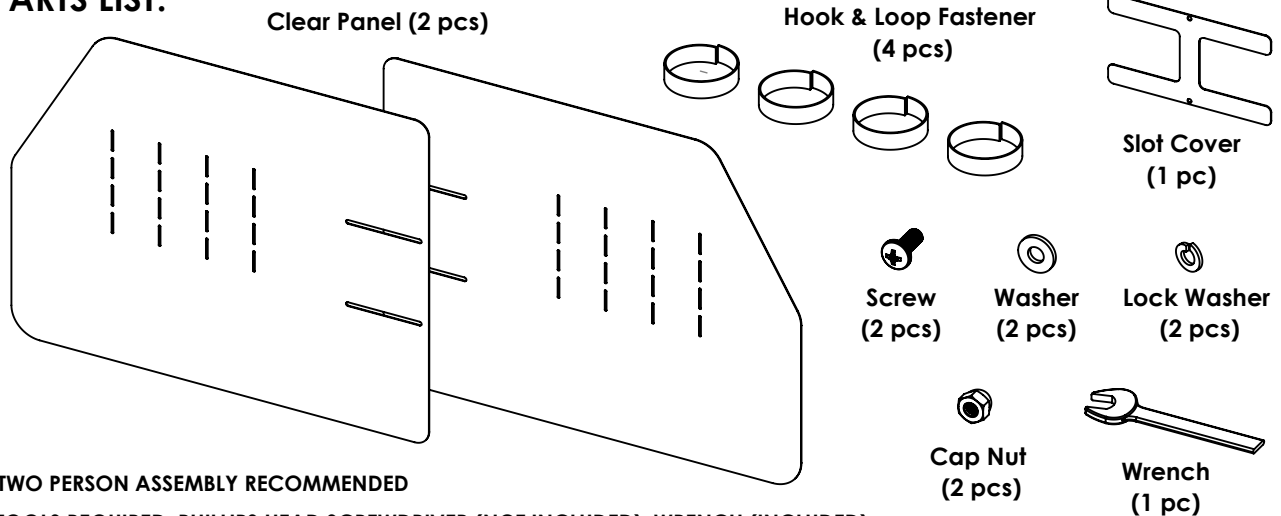


Car Shield

ASSEMBLY INSTRUCTIONS

READ ALL INSTRUCTIONS BEFORE YOU BEGIN. DO NOT JUMP AHEAD OF ANY STEP.

PARTS LIST:

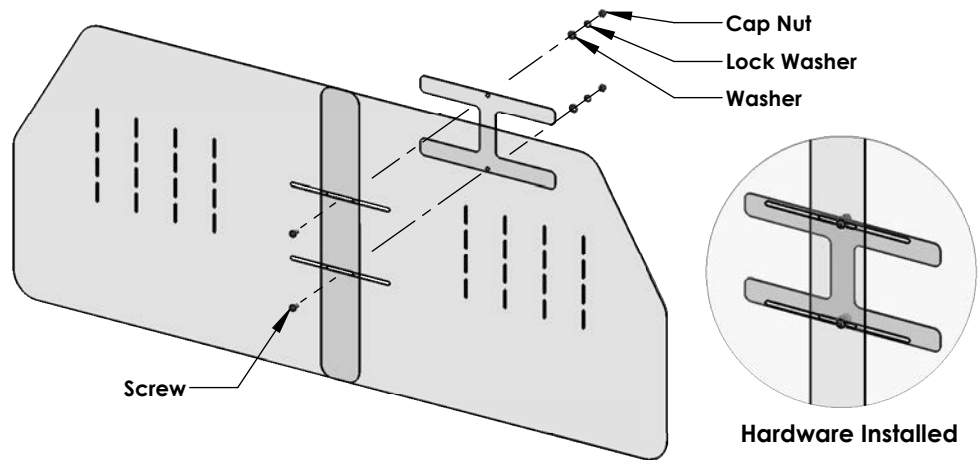


*TWO PERSON ASSEMBLY RECOMMENDED

*TOOLS REQUIRED: PHILLIPS HEAD SCREWDRIVER (NOT INCLUDED), WRENCH (INCLUDED)

STEP 1: Peel off the protective plastic film from both sides of Clear Panels and the Slot Cover.

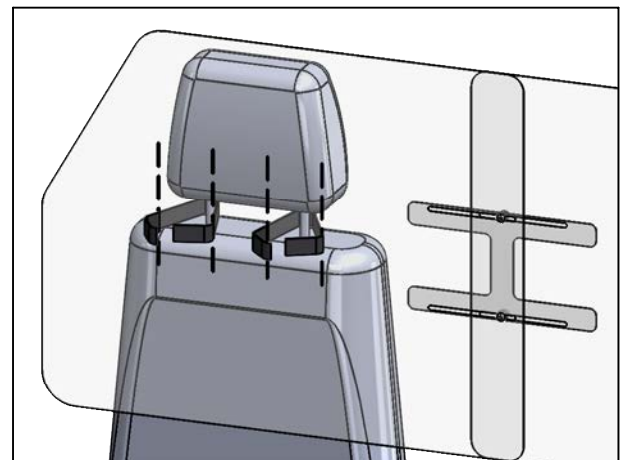
STEP 2: Overlapping the panels, align the center slots of both panels and loosely connect the two halves together with provided hardware. Insert screw through overlapping slots on top, then thread through top hole of Slot Cover on opposite side. Follow with washer, lock washer and cap nut. Repeat for bottom half.



DO NOT fully tighten hardware.

STEP 3: Place your assembled panels up against the headrests of your vehicle and while one person holds the Car Shield in place, have the other person feed the Hook & Loop fasteners through the corresponding matrix of holes on the Left half of your Shield and around the stalks of the Driver's Side Headrest. Loop one fastener around each headrest stalk. **Please note, the side of your Car Shield with the Slot Cover should face the front of your vehicle.**

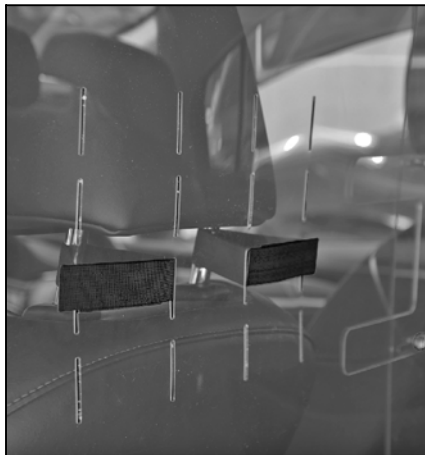
NOTE: Ensure your Headrest is extended enough so that there is space between the top of the seat and bottom of headrest for ease of assembly.



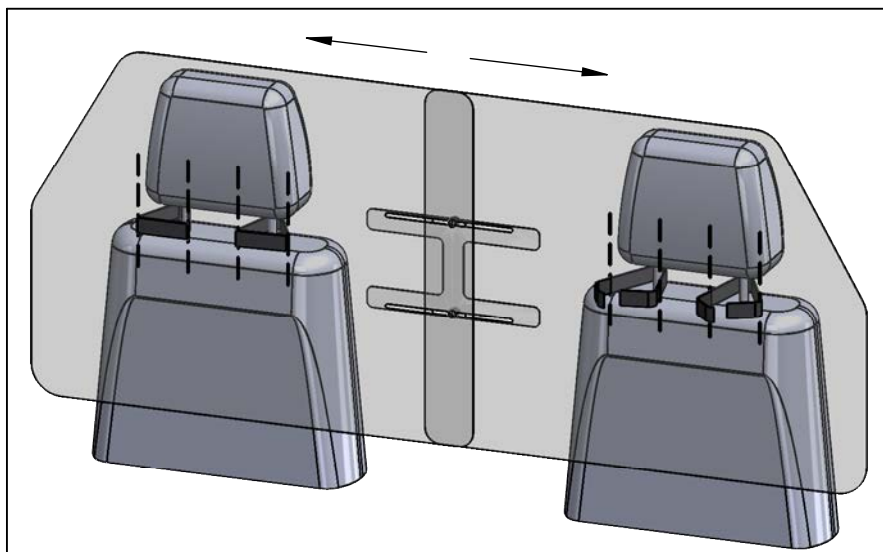
ASSEMBLY INSTRUCTIONS

READ ALL INSTRUCTIONS BEFORE YOU BEGIN. DO NOT JUMP AHEAD OF ANY STEP.

STEP 4: Secure left side of Shield to Driver's Side Headrest by tightening the Hook and Loop Fasteners around stalks and attaching fastener to itself.



STEP 5: Adjust the overall width of your Car Shield accordingly for desired fitment in your vehicle. Repeat STEPS 3 & 4 for attaching the right half of Car Shield to Passenger's Side Headrest.



STEP 6: Once Car Shield is secured to each Headrest with the Hook and Loop Fasteners, go back and tighten hardware using Phillips head screwdriver and supplied wrench.



ASSEMBLY COMPLETED



13601